

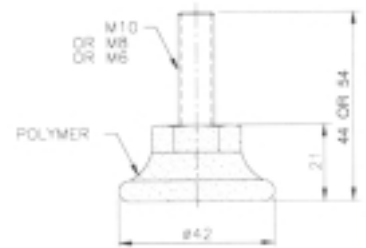
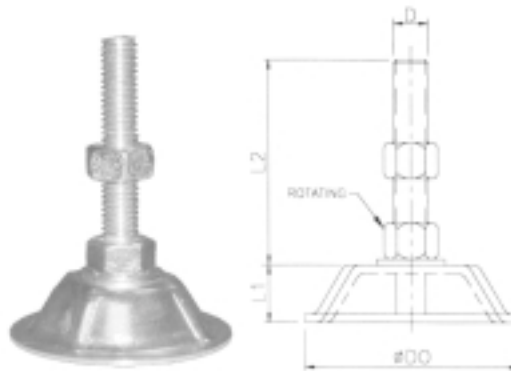
All Type of Machine Mounting

LM SERIES

Order No: LA-1

Also available in Stainless Steel
W. 38.5g

MODEL	D	ØD	L1	L2	WEIGHT
LM-45M800	M8	Ø45	14	60	57g
LM-45M1060	M10			60	66g
LM-45M1260	M12			60	80g
LM-75B1275	1/2 BSW			75	200g
LM-75B12100		100	217g		
LM-75B12150		150	254g		
LM-75B5875	5/8 BSW	Ø75	25	75	274g
LM-75B58100				100	299g
LM-75B58150				150	365g
LM-75M1275	M12	Ø75	25	75	185g
LM-75M12100				100	201g
LM-75M12150				150	236g
LM-75M1675	M16	Ø75	25	75	255g
LM-75M16100				100	287g
LM-75M16150				150	353g

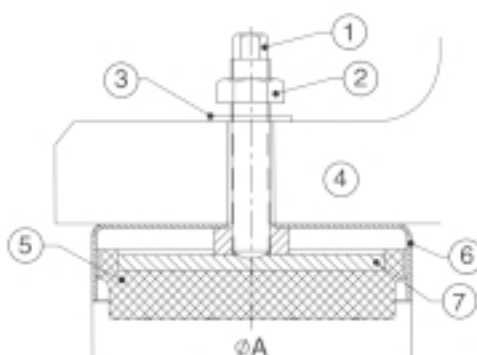
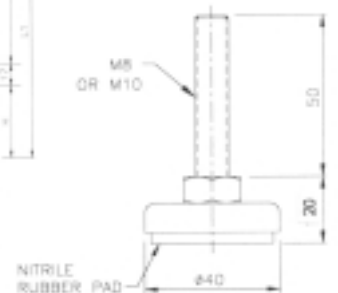
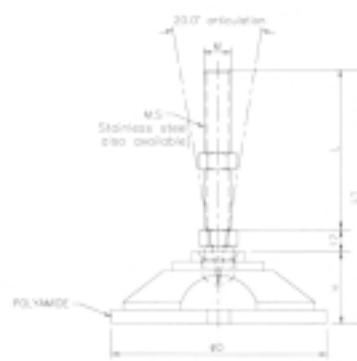


LF SERIES

Order No: LA-3

Also available in Stainless Steel
W. 80g
Holding Capacity - 250kg (Max.)

MODEL	M	ØD	C	ØP	H	L	L1	STATIC LOAD(KG)				
LF-60M1045	M10	Ø60	--	--	23	45	85	700				
LF-60M1070						70	110					
LF-60M10100						100	140					
LF-60M1245	M12					45	85	700				
LF-60M1270						70	110					
LF-60M12100						100	140					
LF-60M1660	M16	Ø60	--	--	23	60	100	1000				
LF-60M16100						100	140					
LF-60M16140						140	180					
LF-60M16160	M20					160	200	1000				
LF-60M20100						100	140					
LF-60M20140						140	180					
LF-60M20160	M20	Ø60	--	--	23	160	200	1000				
LF-60M20200						200	240					
LF-60M24100						100	140		1000			
LF-60M24160	160					200						
LF-60M24200	200					240						
LF-80M1045	M10					Ø80	65	Ø8.5	26	45	88	700
LF-80M1070		70	113									
LF-80M10100		100	143									
LF-80M1245	M12	Ø80	65	Ø8.5	26					45	88	700
LF-80M1270										70	113	
LF-80M12100										100	143	
LF-80M1660	M16					Ø80	65	Ø8.5	26	60	103	1000
LF-80M16100										100	143	
LF-80M16140										140	183	
LF-80M16160	M20	Ø80	65	Ø8.5	26					160	203	1000
LF-80M20100										100	143	
LF-80M20140										140	183	
LF-80M20160	M20					Ø80	65	Ø8.5	26	160	203	1000
LF-80M20200										200	243	
LF-80M24100										100	143	
LF-80M24160	160	203										
LF-80M24200	200	243										
LF-100M1660	M16	Ø100	79	Ø10.4	33					60	110	1000
LF-100M16100						100	150					
LF-100M16140						140	190					
LF-100M16160	M20					Ø100	79	Ø10.4	33	160	210	1000
LF-100M20100										100	150	
LF-100M20140										140	190	
LF-100M20160	M20	Ø100	79	Ø10.4	33					160	210	1000
LF-100M20200										200	250	
LF-100M24100										100	150	
LF-100M24160	160					210						
LF-100M24200	200					250						



- (1) SCREW BOLT
- (2) LOCKING NUT
- (3) WASHER
- (4) MACHINE
- (5) NITRILE RUBBER PAD
- (6) SUPPORT HOUSING
- (7) BEARING FLUTE

MODEL	MM-100-70	MM-140-70	MM-190-70	MM-250-70
FA	100	140	190	250
ADJUSTABLE HEIGHT (MM)	38-56	45-65	55-77	74-100
BOLT THREAD LENGTH (MM)	M12x120	M10x120	M24x160	M30x150
CAPACITY	350kg	1000kg	2000kg	3500kg
WEIGHT	0.85kg	1.80kg	4.47kg	10.5kg